

1mm Contact Spacing, ZIF Type Board To FPC Connectors
EFC-PM22 SERIES



FEATURES

- 1mm contact spacing.
- No. of contacts: 4~34 pin.
- Connector Height: 2.7mm
- Available in tube or embossed type for automatic mounting.

SPECIFICATIONS

1.ELECTRICAL

- Voltage rating: 200VAC
- Current rating: 0.5A
- Contact resistance: 20mΩ max.(initial), 40mΩ max.(final)
- Insulation resistance: 100MΩ min.

2.MECHANICAL

- Durability: Mate & Unmate with applicability for 20 times, Contact resistance: 20mΩ max.(initial), 40mΩ max.(final)
- Operating force (Slider): 0.2kgf*n (1.96N*n) max. (n: Pin)
- Cable holding force: 0.05kgf*n (0.49N*n) min. (n: Pin)
- Contact retention force: 0.5kgf (0.98N) min.

MATERIALS

1.MATERIAL

- Contacts: Copper Alloy
- Insulator Housing: High Temp. Thermoplastic
- Slide: High Temp Thermoplastic
- Hold Down: Copper Alloy

2.PLATING

Contact:

- Nickel In All Area
- Tin & Au over Nickel
(RoHS Compliant)
- Tin over Nickel (RoHS Compliant)

Hold Down:

- Nickel In All Area
- Hold Down: Tin over Nickel
(RoHS Compliant)

PACKING

1.Packing method

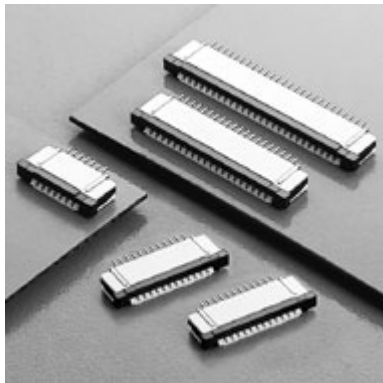
- All connectors are packed in reel or tube methods.

PART NUMBERING SYSTEM

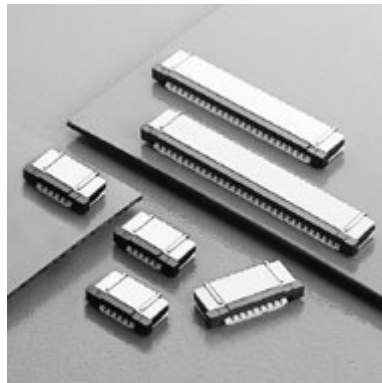
EFC-PM22-FC	09	D-3Z-E	1500	
				+--- No. of Connectors 1500:FCxxD & FCxxU 800:FCxxV
				+--- Package Type: E:Embossed Type T:Tube
				+--- Plating Type: 2Z:Tin & Au over Nickel (RoHS Compliant) 3Z:Tin over Nickel (RoHS Compliant)
				+--- Termination Type: U:Right Angle Up-Side Type D:Right Angle Down-Side Type V:Straight (Vertical) Type
				+--- No. of Contacts: 04:4Pin.~34:34Pin.
				+--- Contact Configuration: FC:FPC/FFC
				+--- Series Name: PM22
				+--- Model Name: EFC:FPC/FPC Connectors

DIMENSIONS

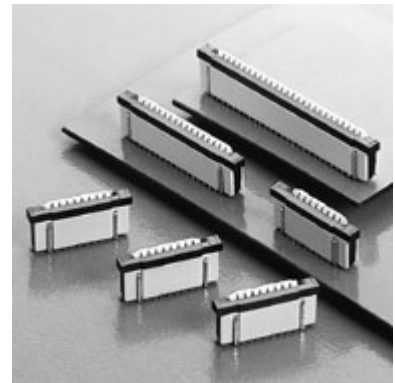
EFC-PM22-FCU**



EFC-PM22-FCD**

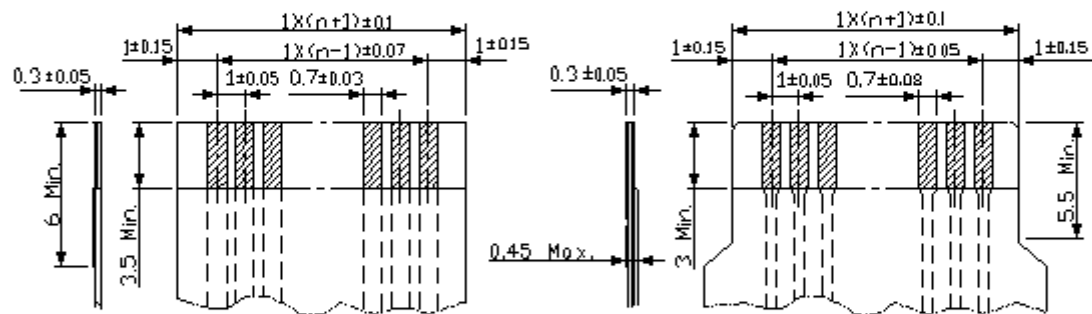
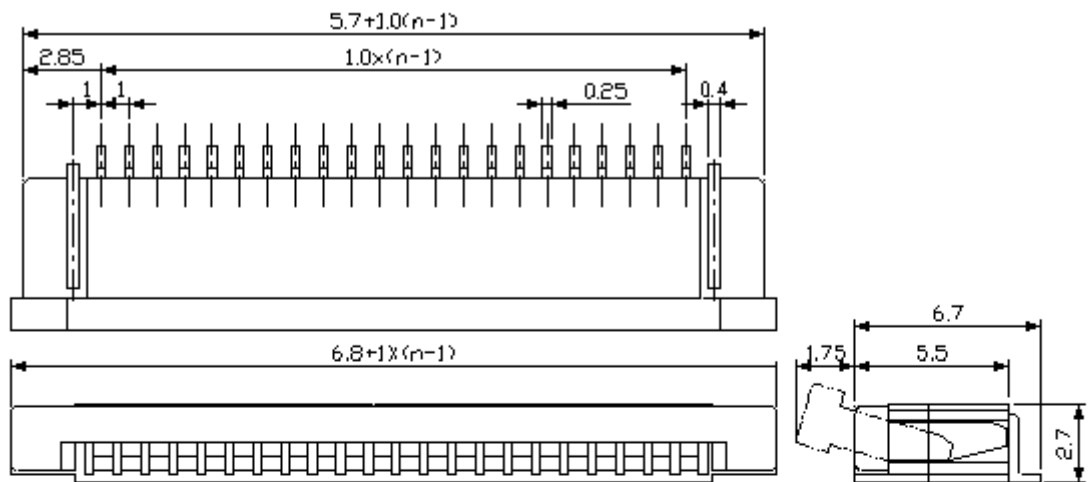


EFC-PM22-FCV**



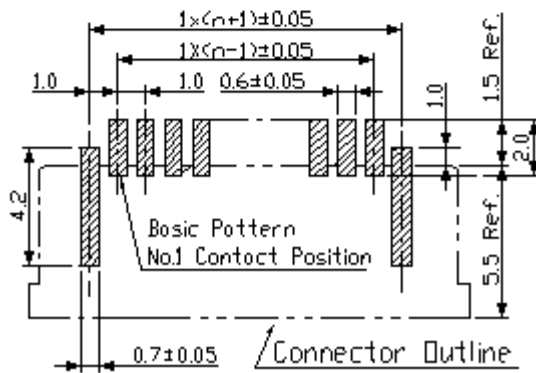
EFC-PM22-FC**D UNIT:mm

Connection Style: Right Angle Down Type



ACCOMMODATED FFC

ACCOMMODATED FPC



PCB LAYOUT (REF.)

EFC-PM22-FC**V UNIT: mm

Connection Style: Straight Type

